

Delta Seal 4000 Foam Dock Seal Pads

Product Data Sheet 11 / 4

General Description

Dock seal pads are widely used to seal the gap between the vehicle and the building so that when the loading door is open the goods and personnel are protected from the inclement weather conditions.

Especially in our current unpredictable weather patterns these dock shelters are not a luxury but more a Health & Safety and quality assurance necessity.

Benefits include

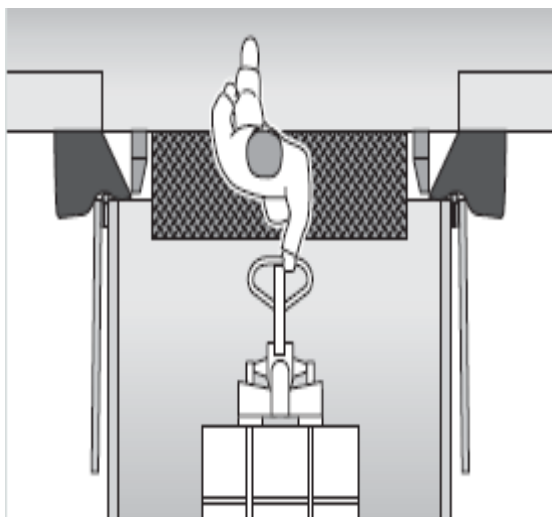
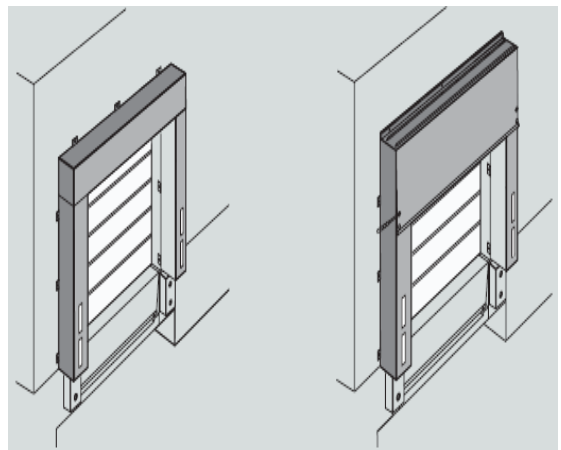
- The saving in energy costs is considerable and carbon footprint reduced.
- It is less likely that goods will be soiled, get wet, inadvertently heated (when an appropriate shelter /seal is used), product stolen or damaged in some other way.
- Personnel fall sick less frequently
- Birds, insects and other vermin are no longer able to fly into the building.
- Ideally suited to refrigerated applications where vehicles are docked for a relatively long period of time and temperatures need to be maintained.

Type Of Shelter / Seal

Which type of shelter is ideally suited to your operational requirements should be based on the following criteria;

- Frequency - how often is the door to be used for loading and unloading purposes?
- Duration - how long does the loading and unloading process take?
- Goods - What type of goods are being protected?
- Vehicles - What is the size (maximum & minimum widths and heights), shape and types of vehicles or containers?
- Discipline - Who will be using the loading bays?

It's a combination of the door and vehicle size that dictates the size and shape of the seal pads. Remember even the lowest of vehicles and widest of doors can be accommodated, just ask Enerco to design the type of shelter required.



Installation Requirements

There is a wide range of fixing methods for seal pads whether from the rear or by use of angle or other shaped brackets but the surface must be flat and to the same footprint as the rear of the seal pad. Enerco can assist with the design of the mounting surface. It is essential that the correct dock buffers are used in conjunction with seal pads so as to prevent premature failure of pad.

Requirements Of The Dock Door

The door opening should not be too large for this type of dock seal. Generally an opening 2250mm wide is suitable however if two Euro pallets need to be removed then an opening larger than this may be required and the seal pads manufactured with angled profile. High vehicles such as double deck trailers combined with declined loading bays often results in the trailer top being behind the outer structure of the building. In these cases the buffers need to project the vehicle off the bay and the seal pad projection and profile increased accordingly. Adjustable head pads may also be required to seal specific vehicles.

General Description

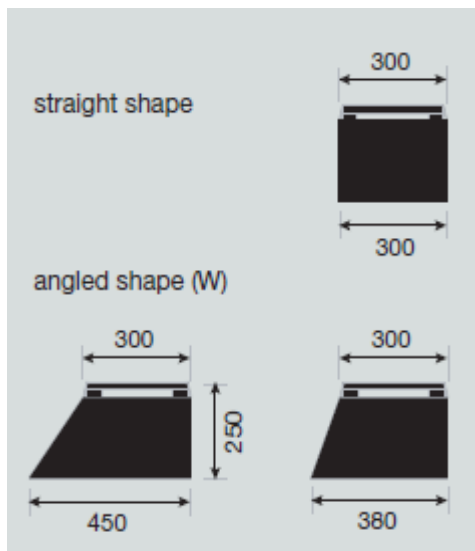
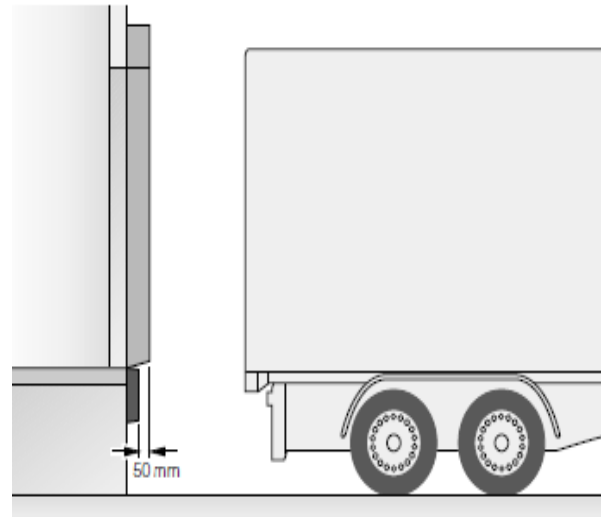
The Enerco Delta Seal 4000 heavy-duty foam seal pads are mounted at dock height

As explained above, the size of the dock shelter is dictated by door size and the range of trailers that will be using the equipment.

Shown below are two seal pad assemblies specifically manufactured with a 500mm projection to suit the buffer detail.

Each application needs to be considered separately but generally seal pads are a minimum 300mm projection and in conjunction with the buffers will allow the trailer to compress the pads by a maximum 50 – 100mm providing a tight seal.

Side pads can be manufactured in two halves for easier replacement of individual sections prone to high wear i.e. rear hinges etc.



Frames

The rear frame is a timber treated kiln dried 50mm x 300mm wide section upon with a polyether special CMF foam core bonded to it.

Standard dock pads are 300mm projection but if projection is an issue this can be decreased to 250mm using a fabricated galvanised steel sheet frame

Generally the standard overall size of the installed units will be 2850mm wide x 2850mm high based on side pads 2550mm high with the 300mm high head pad on top and 2850mm wide head pad.

Where openings are greater than 2250mm wide the pads can be angled to accommodate the increase. If necessary the openings can be reduced to tailor themselves for the application of seal pads.

Alternatively, where the dock approach is inclined or declined the pads can be tapered in height to suit the gradient and thus minimise wear and tear and ensure that pressure is equal for the full height of the pads.

Curtain Material

The pads have a stitched heavy-duty black fabric in 900gm M2 woven polyester base PVC. On the full height of the side pad front face are stitched extra heavy duty wear pleats 300mm wide x 230mm high with 100% overlap in 1500gm M² nylon based black neoprene material.

Both front faces of the side pads will have a 100mm wide full height traffic yellow guide strip sewn in to them to assist vehicle reversing.

Optional Accessories

- Top curtain drop down curtains
- Bottom seal pads to ensure four sided seal
- Inflatable head curtains (see Delta Seal 3000 product data sheet)
- Bay numbers welded on to head curtains
- Adjustable head pad height (manual or electric) to cater for wide ranges of vehicles)
- LED traffic lights with or without automatic operation.
- Wheel Guides 168mm dia. steel tube, yellow or galvanised finish cast in or bolted type. (Recommended)
- Bollards 168mm dia. x 1200mm high steel tube, yellow or galvanised finish, cast in or bolted type
- Rubber Buffers
- Composite control panels



Warranty

The Delta Seal is supplied with a 12 month parts and labour warranty as standard providing the equipment is maintained in accordance with the manufacturer's instruction and not modified in any way whatsoever. Full details of the servicing requirements are available.

Servicing

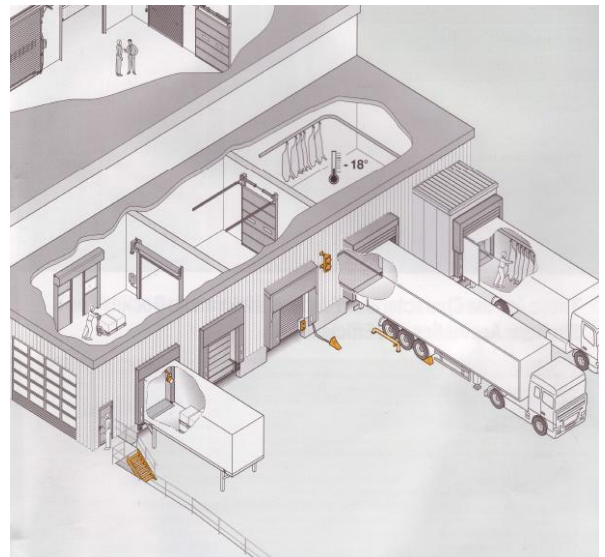
To help protect your investment and extend the effective working life of the equipment, full maintenance packages are available and, in most cases, we can maintain all of your existing doors and loading bay equipment.

Full details of our preventative maintenance packages are available on request. Enerco recommend the first service is carried out 6 months after installation to ensure the number of cycles can be monitored.

We have Safe Contractor, CHAS and Construction Line accreditation as well as being active members of the Doors and Hardware Federation (DHF) where we have their seal of approval for the service and maintenance of doors. We ensure that our staff are trained to the highest standard and all have an NVQ qualification in line with current industry guidelines This NVQ is in addition to the CSCS Health and Safety, First Aid, Asbestos Awareness and other training including product training applicable to our industry and is continually being updated.

Other products in the Delta range from Enerco include: -

- Delta Guard – Commercial Shutters
- Delta Roll – Steel Roller Shutter Doors
- Delta Check – Fire Roller Shutter
- Delta Secure – High Speed Security Doors
- Delta Slide – Insulated Overhead Doors
- Delta Crash – Rubber, Polyurethane & PVC Swing Door
- Delta Part – High Speed Bi – Parting Doors
- Delta Strip – Strip Curtains
- Delta Steel – Steel Security Door Sets
- Delta Fold – Steel Sliding Folding Shutters
- Delta Level – Dock Levellers
- Delta Lift – Scissor Lifts
- Delta Load – Loading Bay Accessories
- Delta Shield – Perimeter Security
- Delta Speed – High Speed Doors
- Delta Grille – Retractable Window Grilles
- Delta Service – Service and Repairs
- Delta Insudoor – Insulated Roller Shutters
- Delta Glide – Garage Doors
- Delta Bar – Fixed & Removable Security Window Bars
- Delta Glaze – Aluminium Glazed Window and Door Systems



Please contact our sales team for more information on 01525 289322 or a brochure. Alternatively visit our web site www.enerco.co.uk



We reserve the right to change specification of the product or product data sheet without prior notification.