

Delta Guard 7700 Built On Insulated Security Shutters Product Data Sheet 2 / 10

Product Description

Delta Guard 7700 insulated roller shutter doors have been developed to provide an insulated architecturally compatible answer to the growing need for vandalism and burglary protection on domestic and commercial property with energy saving insulating properties. The door is available up to a maximum overall width of 5400mm and 2800mm high or 4000mm wide x 4000mm high. The unobtrusive design also helps in meeting the demands of many of the more stringent planning authorities.

Built on shutters give all the benefits of easily operated security at night, but by day disappear leaving the building attractive and welcoming. These aesthetically looking shutter can be added to any building and achieves a neat finish and more importantly, high levels of security. Window shutters are easy to operate from inside, manually or electrically.



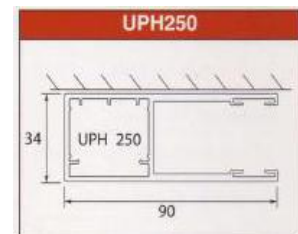
Countrywide installations include windows and doors on city centre, suburban and rural homes, offices, factories, sports centres, computer rooms and golf clubs. In short, any building where security is a concern from the outset.

Shutter box

Die cast aluminium end plates and a two piece roll formed aluminium casing. Larger sizes will be supplied with zinc plated steel end plates.

Guide Rail

Extruded Aluminium with box section for fixing/reinforcement. High density 6mm Pile Brush Seals, UPH250 (90mm Guides) are standard. Other sizes are available upon request.



Shutter Slat- CD 77

Made from double walled extruded aluminium, with high density foam infill, this special design coils to a small box size but gives considerable strength through the double wall construction. Vision can be added by combining the 7700 curtain with that of the Delta Guard 8000 curtain. Suitable when security is paramount

Vision

If vision is required the curtain is compatible with the Delta Vision 8000 and therefore a vision can section can be incorporated within the curtain.



Finish

Standard colours for curtain slats. White RAL 9010, Brown RAL 8014, Light beige BS08B17, Burgundy RAL3004, Fir Green RAL 6009, Navy Blue RAL5011, Black RAL9005, Medium Oak Wood Grain, Light Grey RAL7038, Yellow RAL 1033, Silver Metallic RAL9006, Anthracite Grey RAL 7016

Standard colour for bottom slats, box canopy and guides. White RAL 9010, Dark Brown BS 08 B29. These components can also be powder coated to the above colours at additional cost

The following other colours have a satin finish unless noted and are available for both the curtain and other components at additional cost. Brilliant White RAL9016, Magnolia RAL1015, Beige RAL1001, Yellow RAL1018 Gloss, Pale Green RAL6021 Gloss, Morland Green BS 12B21, Moss Green RAL6005, Pale Brown RAL8070, Brown BS 08B29, Poppy Red BS 04E53, Traffic Red RAL3020, Dark Red RAL3011, Pale Blue RAL5015, Royal Blue RAL5002, Dark Blue RAL 5003, Dark Blue RAL 5013, Off White RAL 9003, Pale Grey RAL7047, Pale Grey RAL7035, Goosewing Grey BS 10 A 05, Merlin Grey BS18 B 25, Dark Grey RAL 7015 Gloss.

Electric Shutter

Motors are required on larger shutters and are optional on smaller shutters. The tubular motor fits inside the axle and draws approximately 250 watts, 3 amps. The opposite end of the barrel is equipped with a safety bearing as standard to arrest the fall of the curtain should there be a fault with the drive and the curtain starts to lower uncontrolled.

Operation is by rocker switch, key switch or remote control. A manual override can be specified to operate from inside only. Multi shutter electric installations can be wired to operate from central or group switches. Ask for details. Locking of the door is via the sprung lath securing clips which push the lath against the inside of the box if the door is forced open.

Manual Shutter

Push up pull down operation but only available up to an overall size 4000mm wide x 2600mm high. A centrally mounted lock is fitted to the bottom rail as standard and when operated slides to locate into each guide. Security angle on the cill for shutters to sit down behind is recommended on wide or vulnerable installations. Extruded slats must be specified for security.

Wind Loading

The door has a wind loading of class 3 on doors up to 4.8m wide and class 2 above and up to 5.4m wide

Thermal Conductivity.

The K value of a Delta Guard 7700 door is 5.2w/m²K. The improvement is similar with an extruded slat.

Maintenance

Commercial installations should have a maintenance check every year. The guarantee period is 24 months subject to the door being serviced and a service contract taken out at the time of installation.

Warranty

The Delta Guard 7700 doors are supplied with a 24 month parts and labour warranty as standard providing the equipment is maintained in accordance with the manufacturer's instruction and not modified in any way whatsoever. Full details of the servicing requirements are available.

Servicing

To help protect your investment and extend the effective working life of the equipment, full maintenance packages are available and, in most cases, we can maintain your existing doors.

We have Worksafe Contractor, CHAS and Construction Line accreditation as well as being active members of the Doors and Hardware Federation (DHF) where we have their seal of approval for the service and maintenance of doors. We ensure that our staff are trained to the highest standard and all have an NVQ qualification in line with current industry guidelines This NVQ is in addition to the CSCS Health and Safety, First Aid, Asbestos Awareness and other training including product training applicable to our industry and is continually being updated.



Other products in the Delta range from Enerco include: -

Delta Guard – Commercial Shutters
Delta Check – Fire Roller Shutter
Delta Slide – Insulated Overhead Doors
Delta Part – High Speed Bi – Parting Doors
Delta Steel – Steel Security Door Sets
Delta Level – Dock Levellers
Delta Seal – Dock Sealing Systems
Delta Speed – High Speed Doors
Delta Service – Service and Repairs
Delta Glide – Garage Doors
Delta Glaze – Aluminium Glazed Window and Door Systems

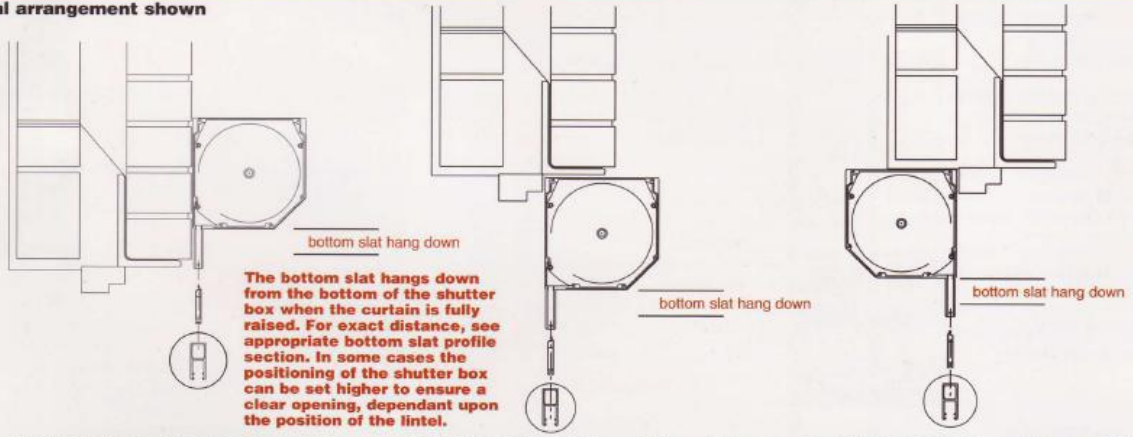
Delta Roll – Steel Roller Shutter Doors
Delta Secure – High Speed Security Doors
Delta Insudoor – Insulated Roller Shutters
Delta Strip – Strip Curtains
Delta Fold – Steel Sliding Folding Shutters
Delta Lift – Scissor Lifts
Delta Shield – Perimeter Security
Delta Grille – Retractable Window Grilles
Delta Load – Loading Bay Accessories
Delta Bar – Fixed & Removable Security Window Bars

Please contact our sales team for more information on 01525 289322 or a brochure. Alternatively visit our web site www.enerco.co.uk or www.enercohigspeeddoors.co.uk

We reserve the right to change the specification of the product and product data sheet without prior notification

HEAD DETAILS

Typical arrangement shown

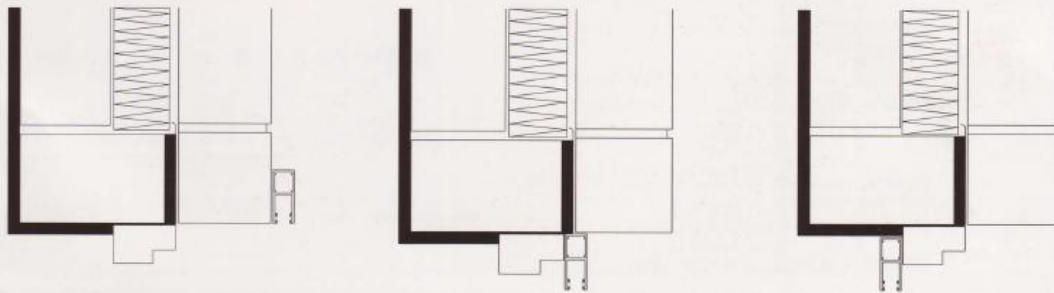


Detail: Built-On External Face Fix

Detail: Built-On External Reveal Fix

Detail: Built-On Internal Reveal Fix

JAMB DETAILS



Detail: Built-On External Face Fix

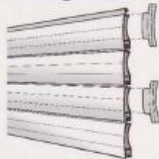
Detail: Built-On External Reveal Fix

Detail: Built-On Internal Reveal Fix

GENERAL DETAILS

END LOCKS

Typical endlock arrangement



Extruded slats

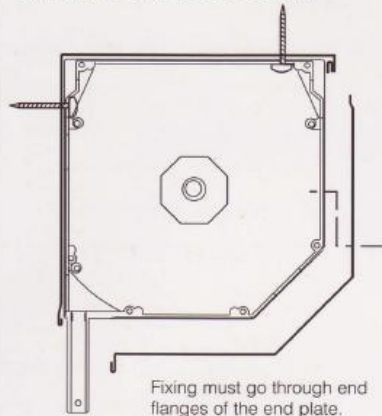


Foam filled slats

Secured by rivets, crimping or staples depending on slat size/type.

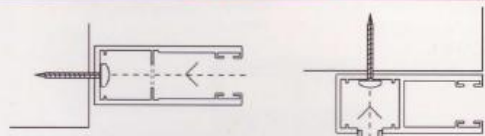
SHUTTER BOX & 45° CANOPY

Detail: Box Fixing showing optional 45° Removable canopy



Fixing must go through end flanges of the end plate.

GUIDE FIXING



Detail: Guide reveal fixing

Detail: Guide Face fixing

BOTTOM SLAT DETAIL

Detail: Bottom slat with optional reinforcing angle

