

Delta Speed 6015TR External High Speed Door

Product Data Sheet
3 / 7

Product Description

The Delta Speed 6015TR high-speed door is one of our range of fast action doors, offering proven individual system solutions for almost any technical requirements up to 6.0m wide x 5.0m high. All Enerco high-speed doors are manufactured in modular design and are almost maintenance free. This results in outstanding operational reliability, fast and inexpensive repairs when damage occurs, as well as low operating costs. A heavy-duty version with a 4mm thick, fully transparent curtain ensures safe transport routes and good visibility from afar. High-speed doors protect from drafts, keep temperature zones at a constant temperature and insulate against noise. In addition to this, they help to improve the working atmosphere.



The door can be fitted with complete all round safety controls i.e. photocells at low level housed on the door columns and fail safe opto-electric safety edge.

Product Advantages

1. Emergency opening using the emergency handle.
2. Fast opening (0.8m/s standard & 1.5m/s optional) and closing (0.8m/s) with safety.
3. Will operate normally in wind pressures of over 60km/h.
4. All clear curtains can be colour impregnated PVC for warning stripes.
5. Modular curtain to ensure repair costs are kept to a minimum.



On request the fully transparent curtain of the doors can be supplied with red or blue warning stripes



By using the wind safety profiles a fabric reinforced and fully transparent curtain can be combined

Applications

- To minimise energy losses by automatically opening and closing, quickly and safely.
- Minimise draughts and maintain constant temperatures
- As an external door where goods are despatched and received on a regular basis.
- As a partition between factory areas.
- In busy traffic doorways.
- Improves the working environment.
- Enhances aesthetic appearance.

Door Design

The curtain is manufactured from all clear PVC, which can have warning stripes, applied. On the Model 6015TR, the stability of the curtain is achieved via the aluminium profiles which allow for the curtain to be modular.

The side columns, manufactured from galvanised steel, are opened easily for maintenance.

The standard version does not include a motor cover.

Door Drive Mechanism and Control Panel

The door is powered both up and down by a 415v 3PH/N/E geared brake motor.

Controls consist of an integrated control panel that controls all of the door functions including the failsafe diagnostics required for the photocell and safety edge. Further benefits include as standard interlock capability, induction loop cross traffic detection and many others. The control panel is equipped with up and stop push buttons.



Safety Features

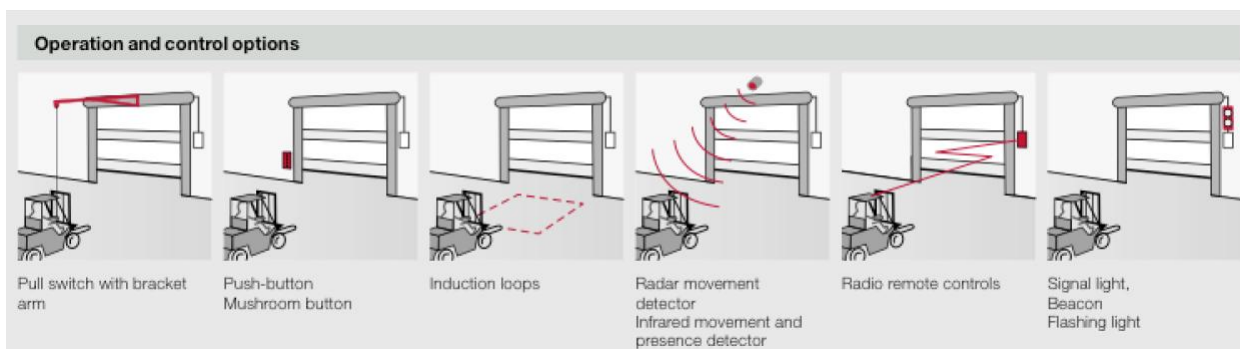
- Photocell protection (standard)
- Electric safety edge (optional).
- Emergency opening lever

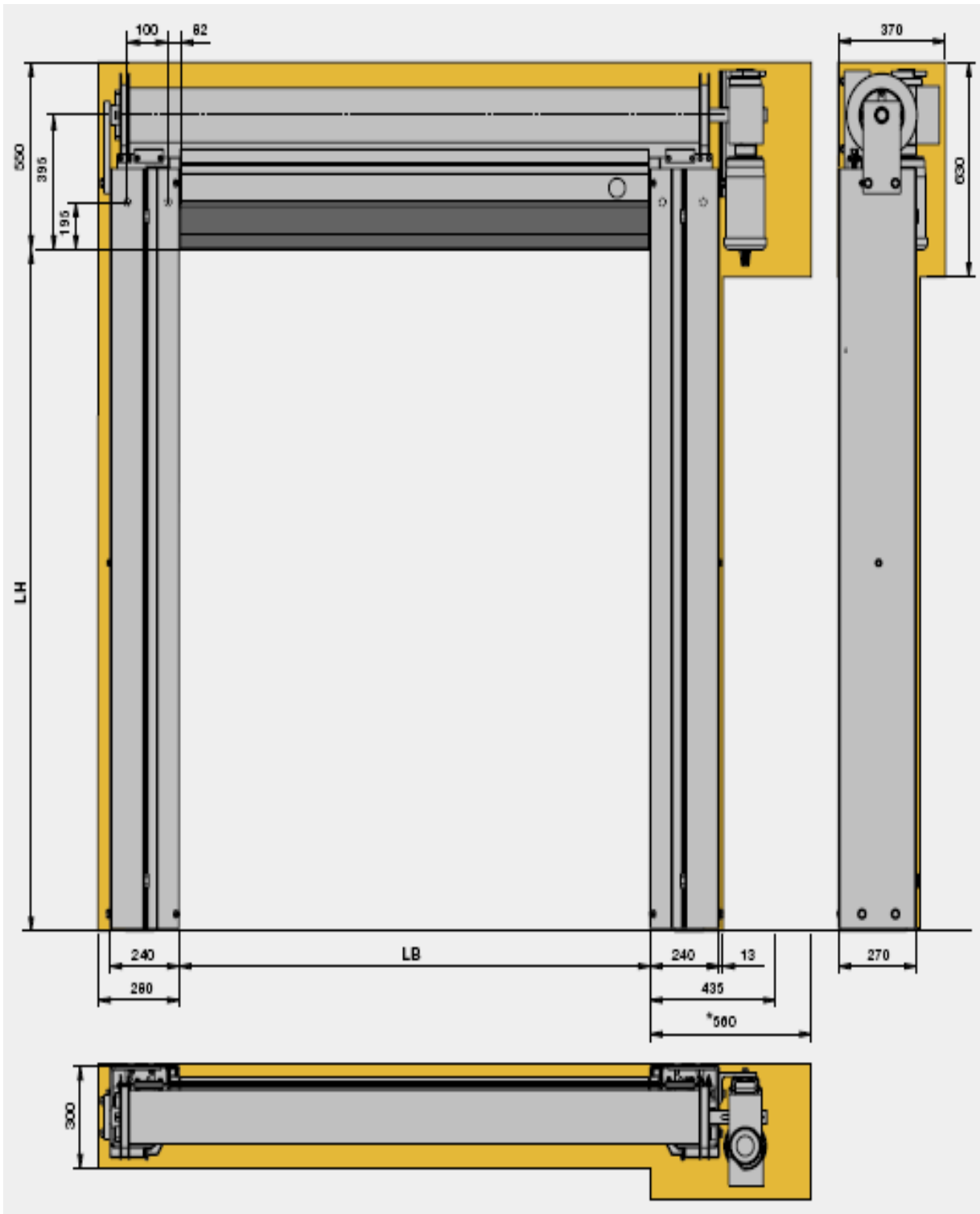
All safety features are self-diagnostic and fail-safe.

Remote Controls

The door can be supplied with additional remote controls. These fall into two categories, activation and safety. When wired to activate, they will open the door from its closed position, stop the door from closing when open and stop / reverse the door when closing. When wired to safety the features are the same as to activate however the door will not open when closed.

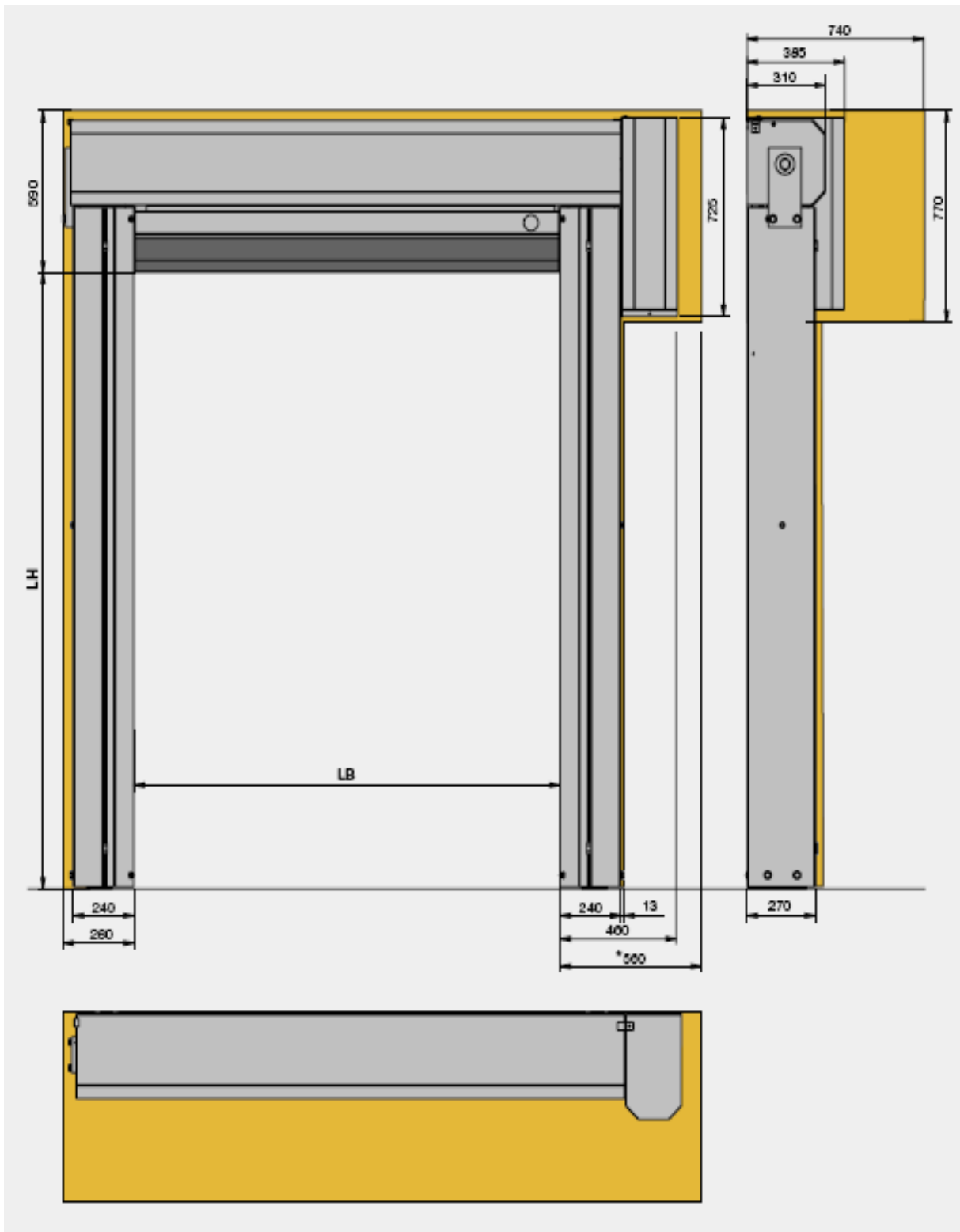
Remote controls include induction loops, photocells, radar, push buttons / pull switch operation or radio / infrared controls.





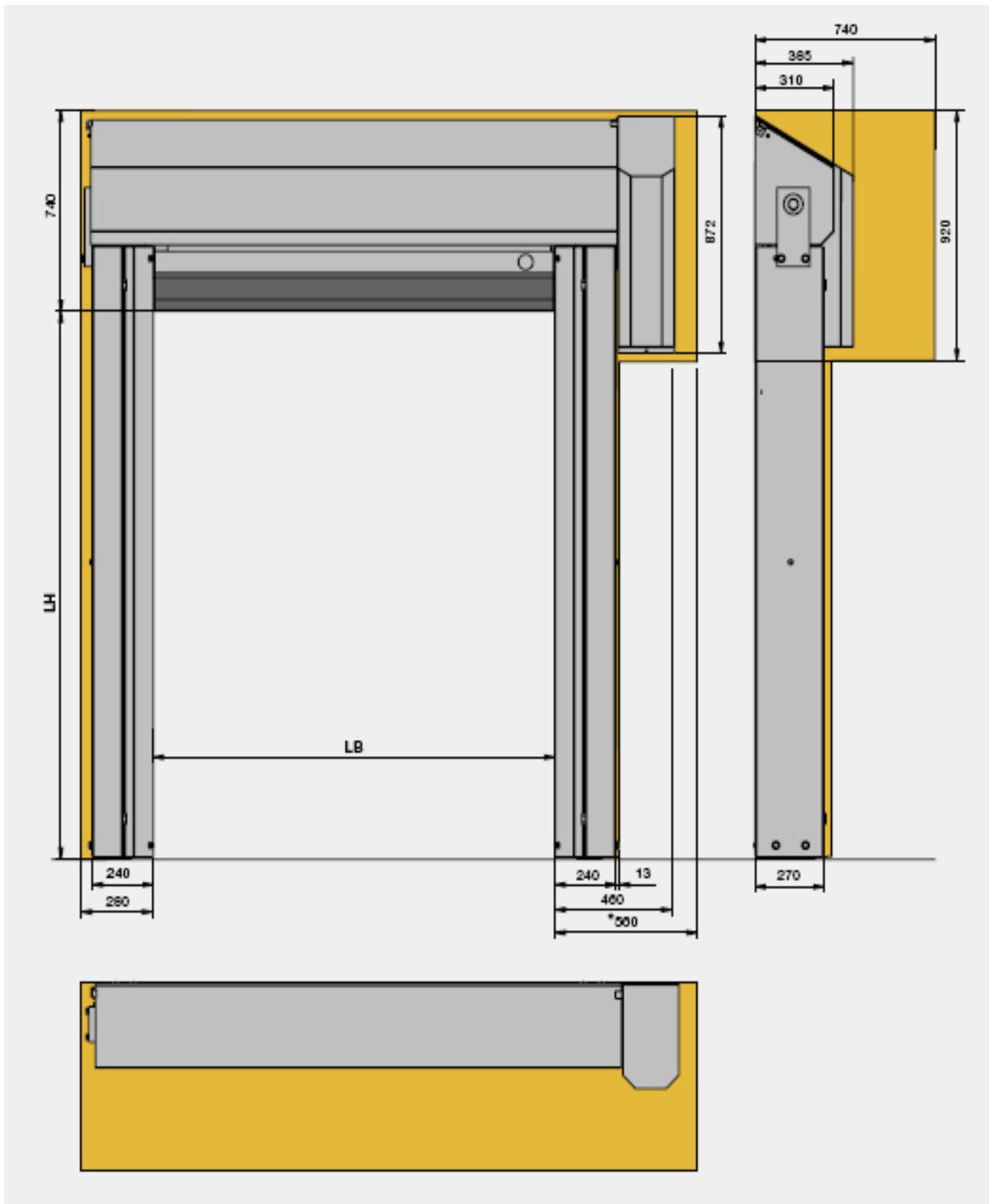
- * Space required to dismantle the motor

General Arrangement of Delta Speed 6015 Without Cladding



- * Space required to dismantle the motor

General Arrangement of Delta Speed 6015 With Straight Cladding



- * Space required to dismantle the motor

General Arrangement For Delta Speed 6015 With Angled Cladding

We reserve the right to change specification without prior notification or alteration of this product data sheet.